

# P S INSTRUMENTS

FLOW • LEVEL • MEASUREMENT

An ISO 9001:2015 Certified Company

Engineered for Precision.  
Built for Performance



**P.S.INSTRUMENTS**

**VARIABLE AREA FLOW METER  
WITH TRANSMITTER**

FLOW=0 NM3/HR  
TOT=297 NM3

MODEL NO. - R-100/D/01/SS316  
I SFI. NO. - 25263  
RANGE - 15 - ISO NM3/HR  
SERVICE - Nitrogen

**P.S.INSTRUMENTS**  
Mob. - 9867339132 / 952774888  
Email : sales@psinstruments.in  
sales@psinstruments.in



## DIGITAL VARIABLE AREA FLOWMETER

The Variable Area Flowmeter is an instrument for measuring the flow of liquids and gases in pipelines. It operates on the principle of Variable Area, the height of the float raised in the taper tube increasing the area of passage of fluid, which is transferred to the indicator by way of magnetic coupling.



# P S INSTRUMENTS

FLOW • LEVEL • MEASUREMENT

An ISO 9001:2015 Certified Company

## BENEFITS OF P S INSTRUMENTS VARIABLE AREA FLOW METER

- "Accurate Flow Measurement You Can Trust"
- Provides precise flow measurement with excellent repeatability, reducing process errors.
- "Ready for Automation (PLC/SCADA)" Supports 4-20 mA, Modbus - perfect for modern automated plants.
- **Suitable for Harsh Conditions** Performs reliably in high & Low pressure, high & Low temperature, and corrosive environments.
- **Low Maintenance Cost** Simple design with fewer moving parts ensures long service life and minimum maintenance. **Wide Application Range** Works efficiently for liquids, gases, and steam, including opaque and aggressive media.
- **Low Pressure Drop** Ensures energy-efficient operation without affecting system performance. **Real-Time Monitoring & Control** Helps in better process control, improving productivity and reducing wastage.
- **Compact & Rugged Design** Strong metal body construction makes it suitable for industrial installations.
- **Accurate measurement**  
Accurate measurement even at higher flow (150 m3/hr). Suitable for low flow (1 LPH)
- **"Digital Display - No Guesswork"**  
Bright LCD/LED screen for instant, error-free readings even in tough industrial conditions.
- **"Rugged SS Body - Built for Industry"** Made with SS304 / SS316, ensuring long life and corrosion resistance.
- **"Explosion-Proof Available"**  
Safe for hazardous areas (Zone 1 / Zone 2) – ideal for oil & gas and chemical plants. **"Compact Design – Easy Installation"** Fits easily in existing pipelines with minimal modification.
- **"Custom Range & Size Available"** We offer tailor-made solutions as per your exact process requirement.





## DIGITAL VARIABLE AREA FLOWMETER

**Simple in Design. Powerful in Performance**

A Digital Variable Area Flow Meter is an advanced flow measurement instrument that operates on the variable area principle combined with electronic sensing and digital Display technology. It is designed to provide highly accurate, real-time flow measurement of liquids, gases, and steam in industrial applications.

In this flow meter, a float moves within a tapered tube based on the flow rate. The float position is detected using magnetic coupling or sensor technology, and the signal is converted into a digital output displayed on an integrated indicator

### PRINCIPLE OF OPERATION

The Variable Area Flowmeter measures the flow of liquids and gases using the Variable Area Principle. As fluid flows through the tapered tube, it lifts a float the height of which corresponds to the flow rate. This float movement is transferred via magnetic coupling to an external pointer, which moves over a calibrated scale to indicate the flow. The design ensures safe, accurate measurement without direct contact between the fluid and the indicator.

#### ENGINEERING SPECIFICATION ( Simple in Design. Powerful in Performance)

Rangeability	: 10 : 1
Accuracy	: +/-1% of Full Flow for Digital Indication
Repeatability	: 0.25% of Full Flow
Pressure Rating	: 80 Kg/cm <sup>2</sup> , 250 Bar (Optional)
Allowable Fluid Temp.	: -20° To 450° C for Digital Indication
Connection	: Flanged, Threaded, Sanitary Fitting
Material Of Construction	: SS316, SS316L, SS304, PTFE , PP and other on request (Alloy 625 / Hastelloy / Monel)
Indicator Box	: Die-cast Aluminum IP-68 and Ex d IIB T4 IP- 67, SS304, SS316
Flow Direction	: Bottom to Top , Horizontal
Optional Certification	PESO, ATEX IIA IIB IIC certification can be provided
Heating Jacket on request Range	: LPH , LPM , KG/HR , M3/HR , NM3/HR , CFM , TON/HR , ML/MIN As Per Requirement.



# PS INSTRUMENTS

FLOW • LEVEL • MEASUREMENT

An ISO 9001:2015 Certified Company



## FLOW RANGE AND PRESSURE LOSS

Line size NB		Water (LPH)			
Flange Or Threaded connection	Tri clover TC	Material SS 304/316/316L	PTFE	Air (m <sup>3</sup> /hr) 0° C & 1 atm	Pressure Loss mm of WC
15 NB (½")  20 NB (¾")	25 mm 1"	1 - 10	1 - 10	0.15 - 1.5	650
		10 - 100	2 - 20	0.3 - 3	
		20 - 200	10 - 100	0.6 - 6	
		30 - 300	20 - 200	0.9 - 9	
		40 - 400	30 - 300	1.2 - 12	720
		50 - 500	40 - 400	1.5 - 15	
		60 - 600	50 - 500	1.8 - 18	
		80 - 800	60 - 600	2.4 - 24	790
		100 - 1000	70 - 700	3 - 30	950
		120 - 1200	80 - 800	3.6 - 36	
25 mm 1"		160 - 1600	90 - 900	4.8 - 48	
		200 - 2000	100 - 1000	6 - 60	
		250 - 2500	150 - 1500	7.5 - 75	
		300 - 3000	180 - 1800	9 - 90	1050
	50 mm 2"	350 - 3500	200 - 2000	10.5 - 105	
		400 - 4000	250 - 2500	12 - 120	
		500 - 5000	300 - 3000	15 - 150	
		600 - 6000	400 - 4000	18 - 180	
40 NB (1½")	2½"	750 - 7500	500 - 5000	22.5 - 225	1100
		1000 - 10000	700 - 7000	30 - 300	
50 NB (2")	3"	1500 - 15000	1000 - 10000	45 - 450	980
		2000 - 20000	2000 - 20000	60 - 600	
80 NB (3")	4"	2500 - 25000	3000 - 30000	75 - 750	
		3000 - 30000	4000 - 40000	90 - 900	1000
		4000 - 40000	6000 - 60000	120 - 1200	
100 NB (4")	6"	5000 - 50000	6500 - 65000	150 - 1500	
		6000 - 60000	7000 - 70000	180 - 1800	
125 NB (5")	NO TC	8000 - 80000	7500 - 75000	240 - 2400	
		10000 - 100000	8000 - 80000	300 - 3000	1200
		12000 - 120000	8500 - 85000	360 - 3600	
150 NB (6")	NO TC	15000 - 150000	9500 - 95000	450 - 4500	

### MODEL SELECTION



# PS INSTRUMENTS

FLOW • LEVEL • MEASUREMENT

An ISO 9001:2015 Certified Company

## MODEL SELECTION

	1	2	3	4	Description
Model	PSI/R-300/D	1			Digital Indication
Variants for Digital Indication		2			Digital Display with loop powered 4 – 20 mA output
		3			Totalizer with loop powered transmitter
		4			Totalizer & Batch controller – 230 VAC
		5			High and Low Switch
					Totalizer and Density correction Facility
					SS304/SS316/SS316L/PTFE/PP
Material Wetted Parts		XX			Other on Request
				J	Steam Jacketing
Accessories					

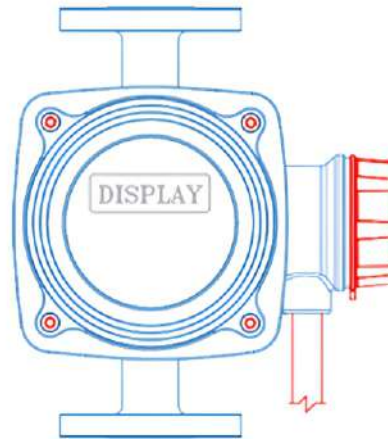
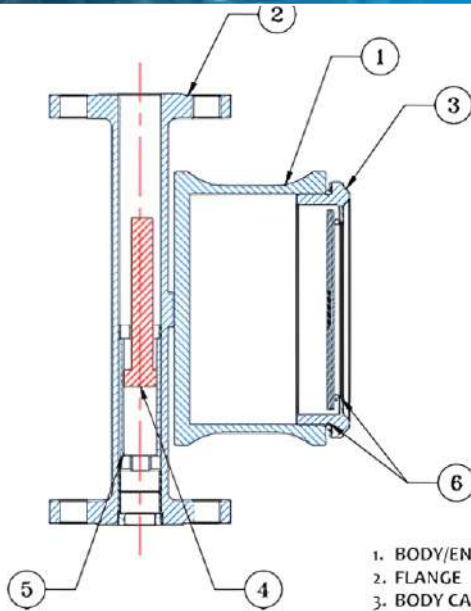




# PS INSTRUMENTS

FLOW • LEVEL • MEASUREMENT

An ISO 9001:2015 Certified Company



## APPLICATIONS



### Chemical Industry

- Acid, alkali, corrosive liquids flow measurement
- Dosing & process control systems



### Water & Wastewater Treatment

- Raw water / treated water flow monitoring
- Chemical dosing lines



### Pharmaceutical Industry

- Purified water (PW), WFI systems
- Clean & hygienic process lines



### Water & Wastewater Treatment

- Steam flow measurement
- Feed water & condensate lines



### Power Plants

- Cooling water circuits
- Lubrication oil systems



### Oil & Gas Industry

- Fuel oil, diesel, lubricants flow measurement
- Gas flow monitoring in pipelines



### Process Industries

- Flow indication in pipelines
- Batch & continuous process control



### OEM & Machinery

- Skid-mounted systems
- Panel-mounted flow indication



**PS INSTRUMENTS**

FLOW • LEVEL • MEASUREMENT

An ISO 9001:2015 Certified Company

## WHY OUR COMPANY ?

- ✓ ISO 9001:2015 Certified
- ✓ Experienced Manufacturing Team
- ✓ Customization Available
- ✓ Competitive Pricing
- ✓ Strong After-Sales Support
- ✓ Quick Response
- ✓ Expert Technical Support
- ✓ On-Time Delivery



“Fast Response.

Expert Support.



Reliable Delivery – Every Time.”



**PS INSTRUMENTS**

FLOW • LEVEL • MEASUREMENT

 C-2,3, Udyog Vihar, Industrial Estate, Vithalwadi (W), Mumbai - 421003

 +91- 9527774888 / 09834445902  0251-2712675

 [www.psinstruments.net](http://www.psinstruments.net)  [sales@psinstruments.net](mailto:sales@psinstruments.net)